

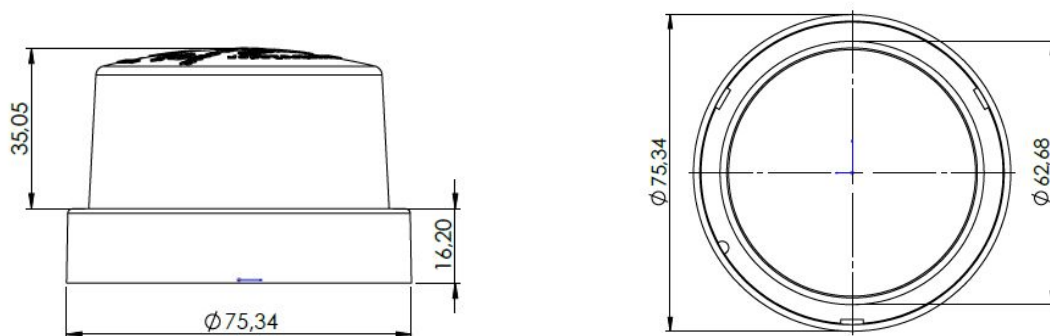


\* Illustrative Images.

## Technical Specifications

| MODEL                    | PHOTOELECTRIC ELECTRONIC RELAY        |
|--------------------------|---------------------------------------|
|                          | ORBLIGHT ELT                          |
| NOMINAL VOLTAGE RANGE    | 105-305V ~ 50/60Hz                    |
| SWITCHING TIME - MINUTES | 1 ≤ ON/OFF ≤ 5                        |
| POWER FACTOR             | ≥ 0.92                                |
| MAXIMUM POWER            | 1.000W/1800VA                         |
| ELECTRICAL USEFUL LIFE   | 5.000 CYCLES                          |
| OPERATION                | T2LNFDRNAI                            |
| MATERIAL                 | PP – POLIPROPYLENE WITH UV PROTECTION |
| DEGREE OF PROTECTION     | IP65                                  |
| NOMINAL CHAIN            | 10A                                   |
| SURGE VOLTAGE            | 4kV / 2KA                             |
| DIMENSION(mm/in)         | 51,26 / 2,02                          |
| DIAMETER(mm/in)          | 75,34 / 2,97                          |
| PRODUCT WARRANTY         | 1 YEAR FROM SALE DATE                 |

## Technical Drawing



\* Dimensions mm.