

LIGHT CONTROL BASE 7P



ORBLIGHT



* Illustrative Image.

TECHNICAL SPECIFICATIONS

MODEL	BUILT-IN OUTLET FOR 7-POS PHOTOELECTRIC RELAY
NOMINAL VOLTAGE RANGE	100 - 277V ~ 50/60Hz
LINK	BLACK - PHASE NEUTRAL - WHITE CHARGE - RED
DIMERIZATION WIRES	Positive (violet), negative or reference (grey), auxiliary (brown and orange) cross section of the wires of 20AWG
LENGHT OF AUXILIARY CABLES	0,49in (length can be changed at customer's request)
LENGHT OF LOAD CABLES	0,78in (length can be changed at customer's request)
ELECTRICAL CONNECTION	FLEXIBLE CABLE - 15AWG
MATERIAL	NYLON SOCKET WITH FIBERGLASS FITTING TERMINALS IN TINNED BRASS, GOLD-PLATED DIMERIZATION TEMINALS
DIELECTRIC STRENGTH	> 2500V
NOMINAL CURRENT	10A
NORMATIVE	ANSI C136.41-2013
ROTATION	180° (With fixing washer)
INTERCHANGEABILITY	Can be used with relays from any manufacturer
PRODUCT WARRANTY	1 YEAR FROM DARE OF SALE

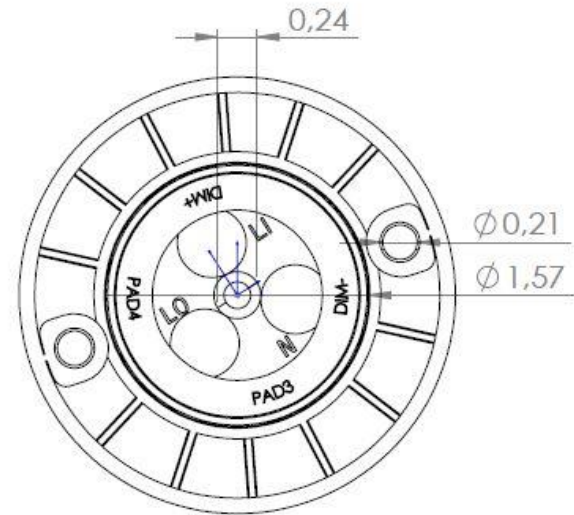
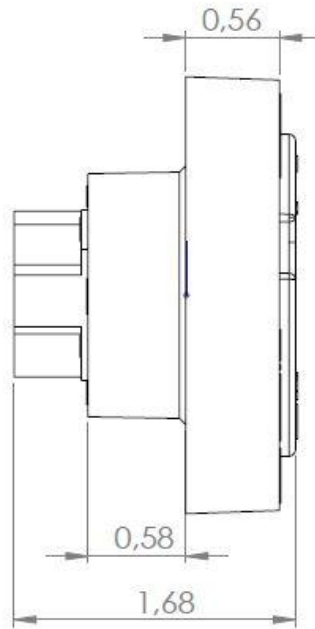
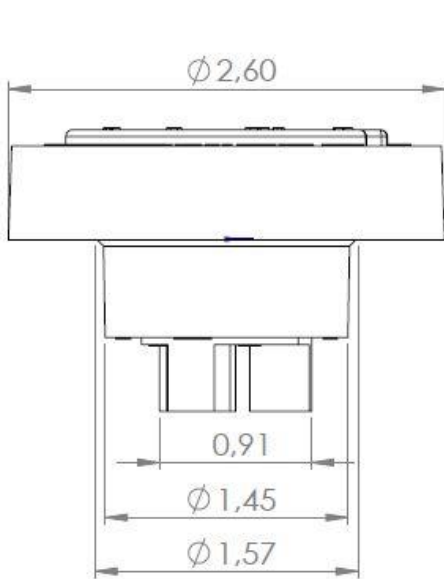


LIGHT CONTROL BASE

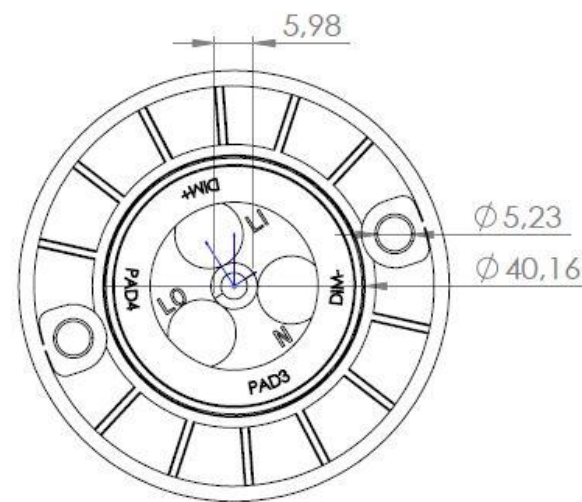
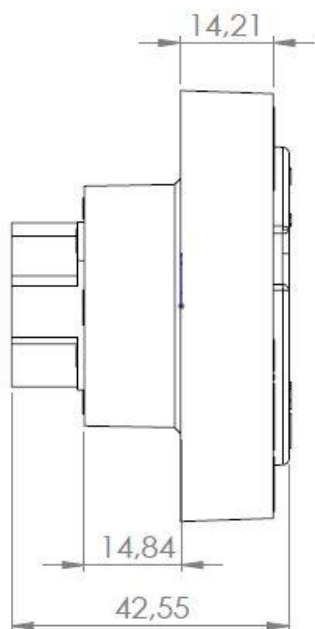
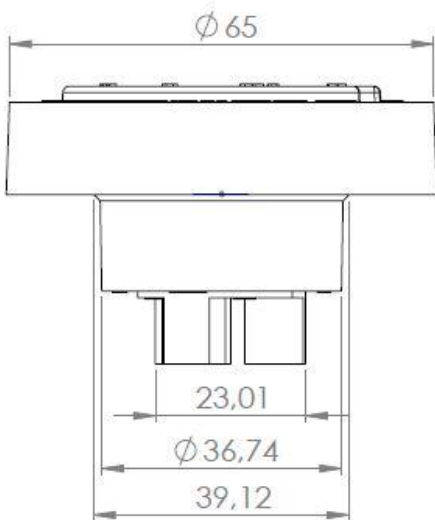


ORBLIGHT

Technical drawing



* Dimensions in.



* Dimensions mm.

