

PHOTOELECTRIC THERMAL RELAY



ORBLIGHT

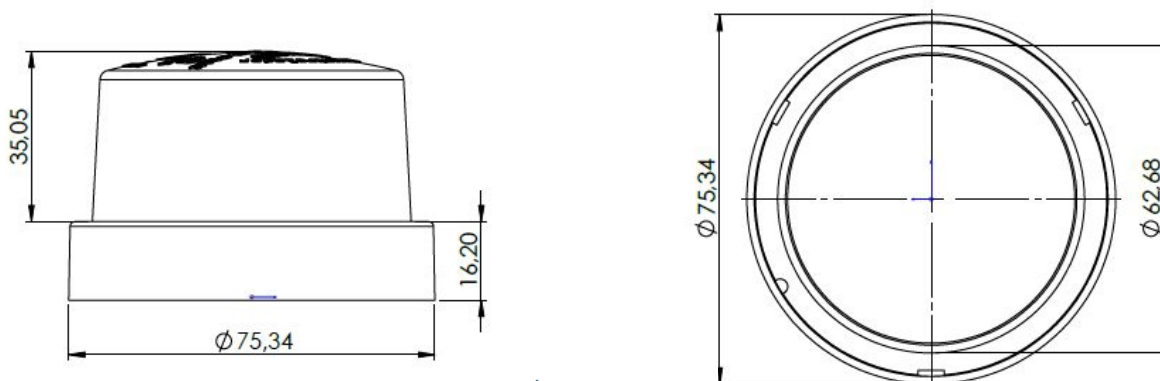


* Illustrative Images.

Technical Specifications

MODELL	RFT-110
NOMINAL VOLTAGE RANGE	127V ~ 50/60Hz
SWITCHING TIME - MINUTES	1 ≤ ON/OFF ≤ 5
POWER FACTOR	≥ 0.92
MAXIMUM POWER	127Vac 1.000W/1200VA
ELECTRICAL SHELF LIFE	5.000 CYcles
MATERIAL	PP – POLYPROPYLENEZINC WITH UV
DEGREE OF PROTECTION	IP65
NOMINAL CURRENT	10A
STANDARDS	NBR 5123
SURGE VOLTAGE	4kV / 2KA
DIMENSION(mm/in)	51,26 / 2,02
DIAMETER(mm/in)	75,34 / 2,97
INTERCHANGEABILITY	BASES FROM ANY MANUFACTURER CAN BE USED
WARRANTY	1 YEAR FROM THE DATE OF SALE

Technical Drawing



* Dimensions in mm.