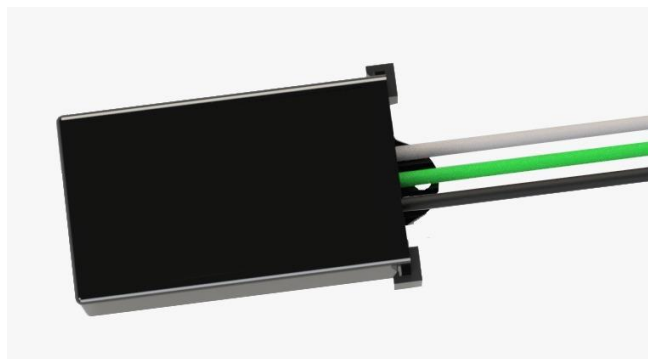


Surge protection devices (SPD) are designed to protect from transient overvoltage in the electrical network and transfer surge currents, keeping electronic equipment safe from voltage and current spikes allowing interrupted performance.



TECHNICAL SPECIFICATIONS

| | |
|---|--|
| MODEL | SPD SLIM MOV – SPD_SL-05 275 T5 |
| NOMINAL OPERATING VOLTAGE (Vo) | 100~270(L/N); 220(L/L)-[+/-10%] |
| MAXIMUM OPERATING VOLTAGE (Uc) Vac/Vcc | 275/440 |
| NOMINAL FREQUENCY | 50/60Hz |
| MINIMUM NOMINAL DISCHARGE CURRENT@8/20µS (In) | 5kA |
| MAXIMUM NOMINAL DISCHARGE CURRENT@8/20µS (In) | 10kA |
| LEVEL OF PROTECTION(UP/VPR) | ≤1,5kV @10kA [L-N L-L] |
| CAT.C HIGH EXPOSURE | (8/20µs) [1 time 20KA / 13 time 10KA] |
| EXPIRATION FOR STORAGE | UNDETERMINED |
| COMPONENTS – VARISTOR B72225S4271K101 | 275V - UL1449 |
| CASING | POLYPROPYLENE – UL94 V0 |
| INSTALLATION SCHEME | PARALLEL WITH THE LOAD |
| ELECTRICAL CONNECTION | FLEXIBLE WIRE [16AWG 221°F - 600V]- UL(3578 or 1015 or 1007) |
| CABLE LENGTH | 6.02in – 153mm [+/-5%] |
| PROTECTION MODE | COMMON MODE(L-PE/N-PE) |
| OPERATING TEMPERATURE | (-104..+ 185)°F – (-40..+ 80)°C |
| DEGREE OF PROTECTION - IP | IP 66 |
| APPROXIMATE WEIGHT | 40g (0.08)lbs |
| DIMENSIONS [LxWxH] | (4.53x0.87x0.59)in - (115x25x15)mm |
| INPUT CONNECTION TYPE | BLACK (L) WHITE (N) GREEN (G) |
| PRODUCT WARRANTY AGAINST MANUFACTURING DEFECTS* | 5 YEARS FROM THE DATE OF SALE |
| COUNTRY OF ORIGIN | MADE IN BRAZIL |



*Warranty subject to technical valuation

Informação de segurança | Safety Information

Este produto deve ser instalado por profissional habilitado ou capacitado a realizar serviços em instalações elétricas, que deve seguir as normas e regulamentações técnicas nacionais. Antes de iniciar a instalação, verifique a integridade física do produto. Caso exista algum tipo de dano ou falha, o dispositivo deve ser substituído antes da instalação. O dispositivo deve ser utilizado apenas da forma descrita no manual de instalação. Se o dispositivo for exposto a surtos elétricos que geram correntes excedente aos valores indicados na tabela de características técnicas, o dispositivo pode sofrer danos. Qualquer modificação no dispositivo invalida sua garantia. Em caso de dúvida, o usuário deve entrar em contato com o suporte técnico.

Before starting the installation, check the physical integrity of the product. If there is any damage or failure, the device must be replaced before installation. The product should only be installed by qualified professionals with technical knowledge in electricity. In order to carry out the installation, the national technical standards and regulations must be followed. The device should be used only as described in the installation manual. If the device is exposed to surges that generate currents exceeding the values indicated in the technical data table, the device may be damaged. Any modification to the device invalidates its warranty. In case of doubt, the user should contact.

Etiqueta de Identificação | Identification Tag

| | |
|--------|---|
| Imáx | Corrente de descarga máxima Maximum discharge current |
| UP VPR | Nível de proteção Protection level |
| In | Corrente de descarga máxima Maximum discharge current |
| IL | Corrente de linha Line Current |
| Uc | Máxima tensão de operação contínua Maximum continuous operating voltage |
| OP | Temperatura de operação Operating temperature |

ESB LIGHT BATCH:mm/dd/yyyy

WWW.ESBLIGHTUSA.COM

SPD SLIM MOV - SPD_SL05 275 T5

Imáx@ 8/20us 10KA UP/VPR≤1,5KV@10KV

In@ 8/20us 5KA IL 10A OP (-40...+80°C) T5

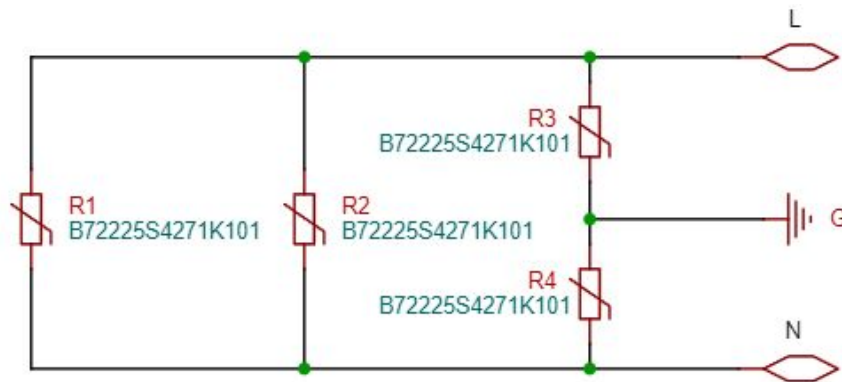
Uc 275VAC/440VDC 50/60Hz IP66 V0

GREEN
 WHITE (N)
 BLACK (F)

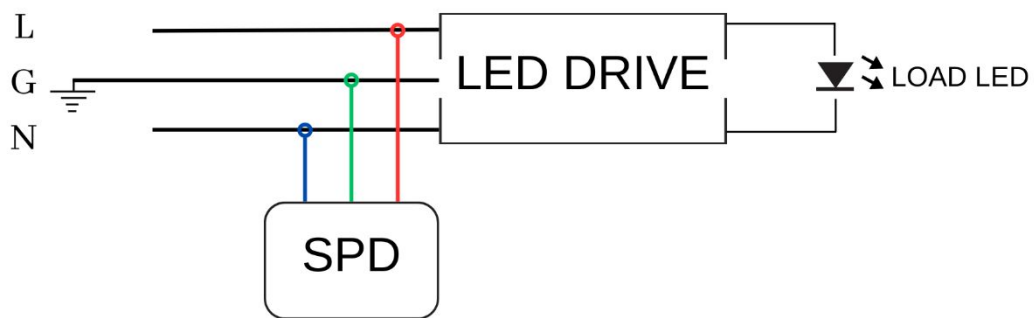


*Warranty subject to technical valuation

Electric Circuit



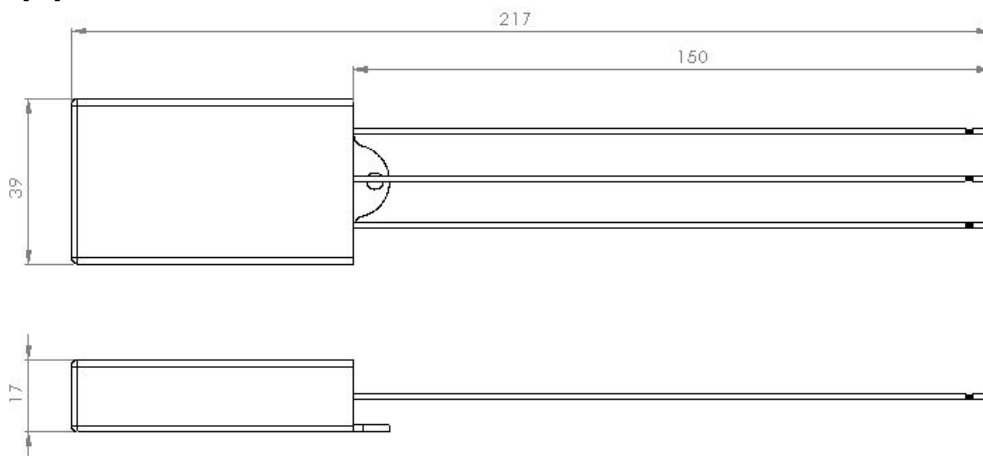
Parallel Connection



* FOLLOW PRODUCT CONNECTION SCHEME.

Technical Drawing

* Dimensions mm[in]



*Warranty subject to technical valuation